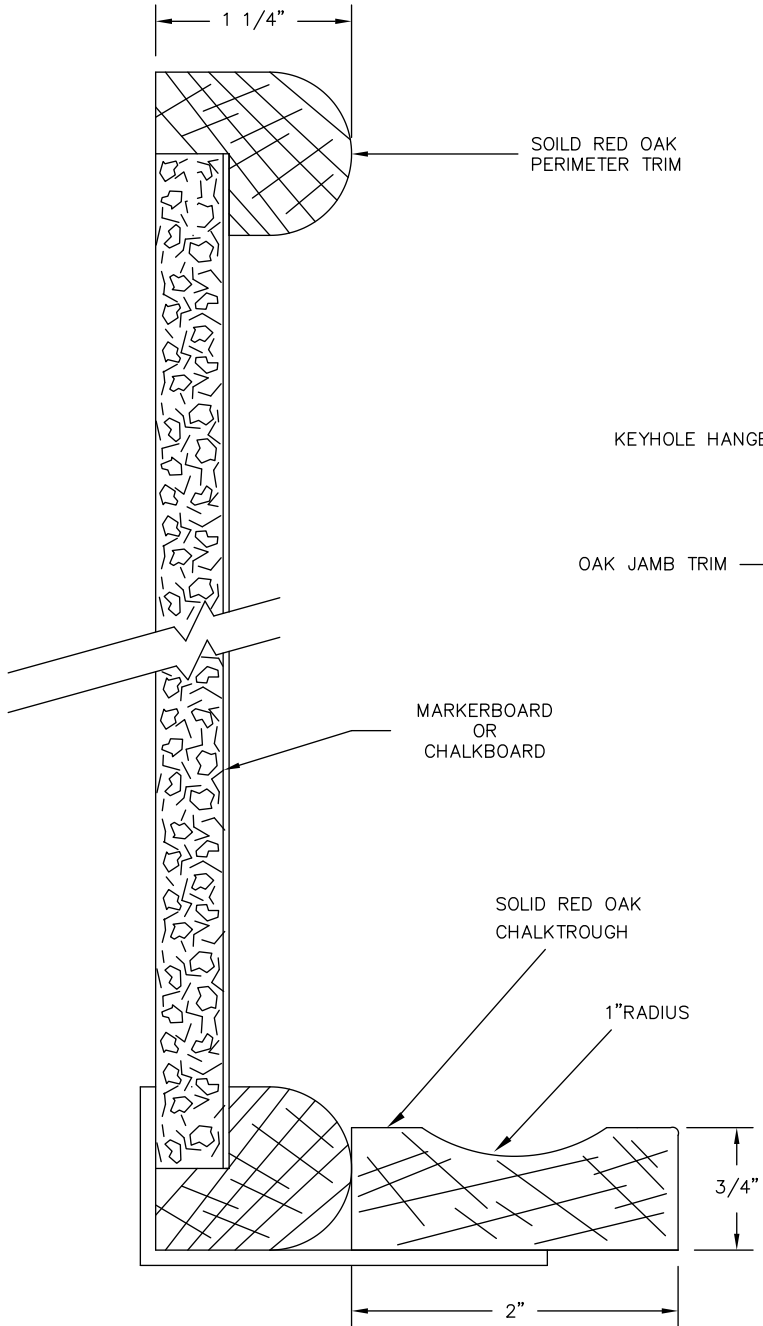
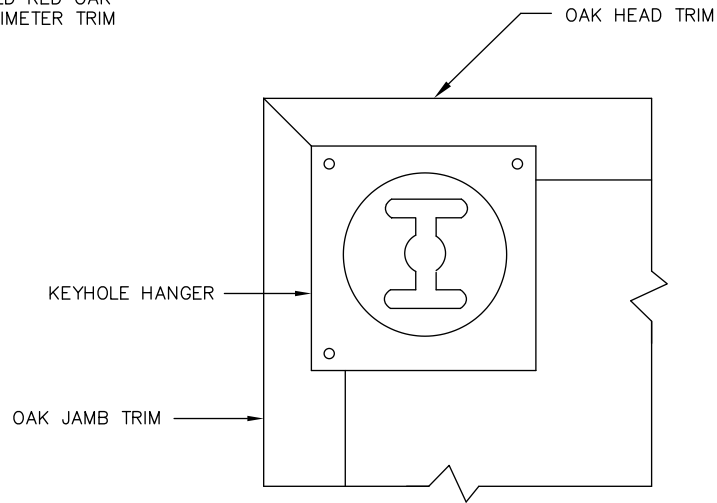


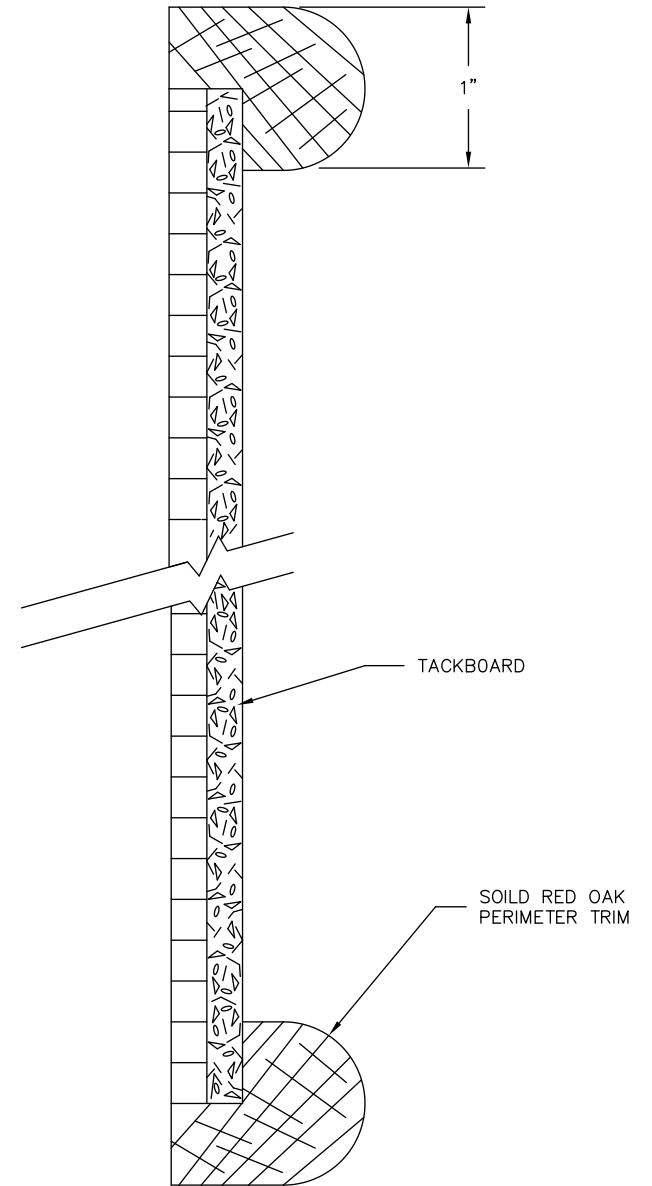
CLARIDGE SERIES 2500 & 2600
 FACTORY BUILT UNITS
 TRIM SECTION DETAILS
 SCALE=FULL SIZE



2500 SERIES



DETAIL AT BACK OF BOARD SHOWING TYPICAL CORNER WITH KEYHOLE HANGER. SCALE = 1/2 FULL SIZE



2600 SERIES