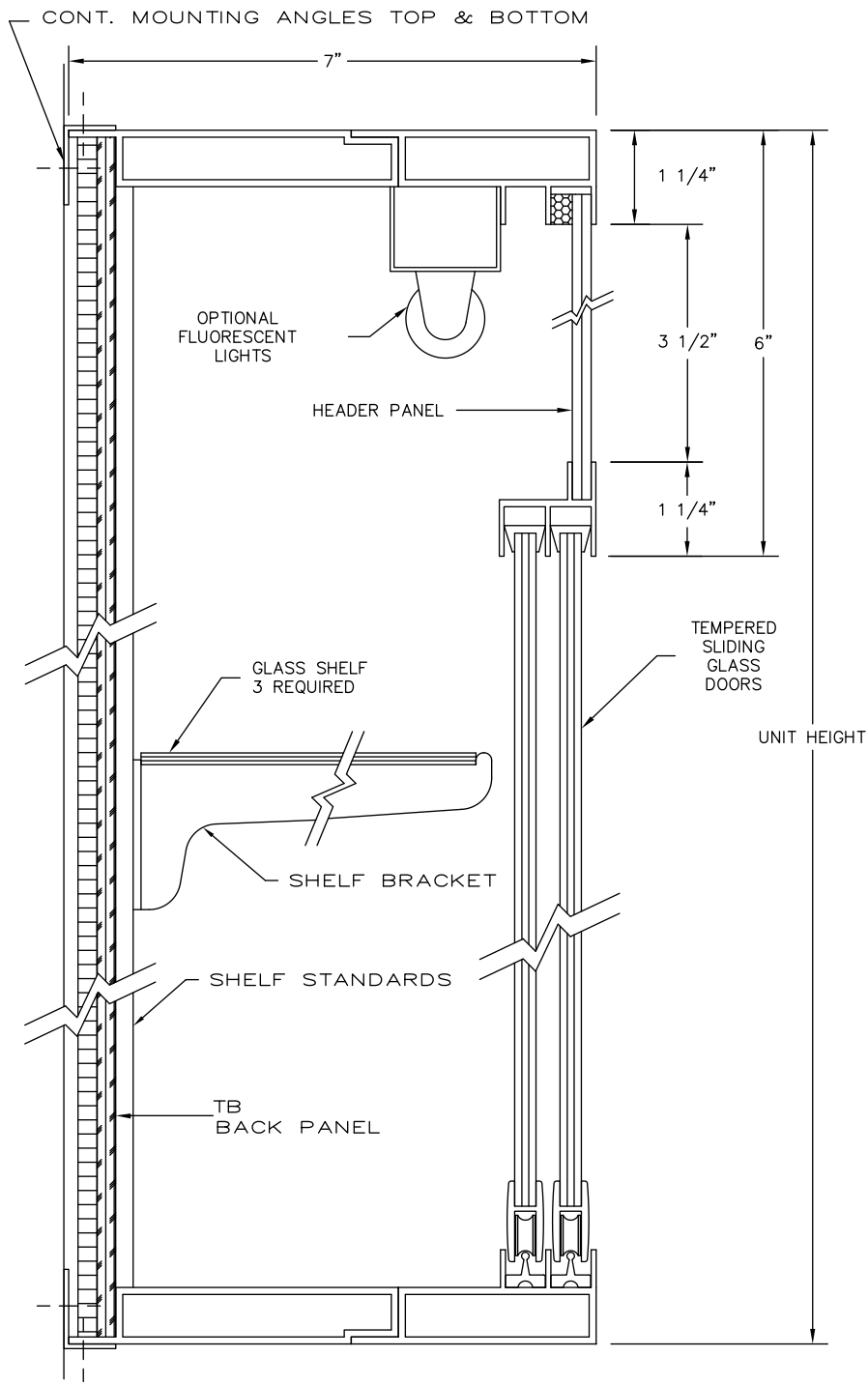
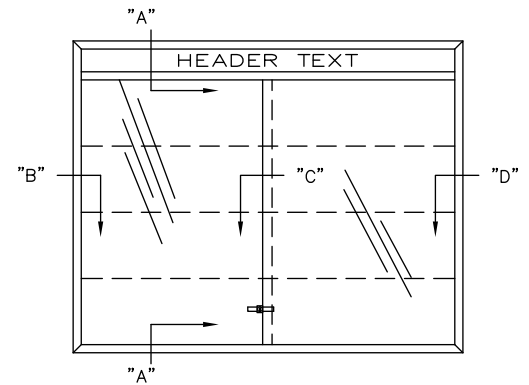


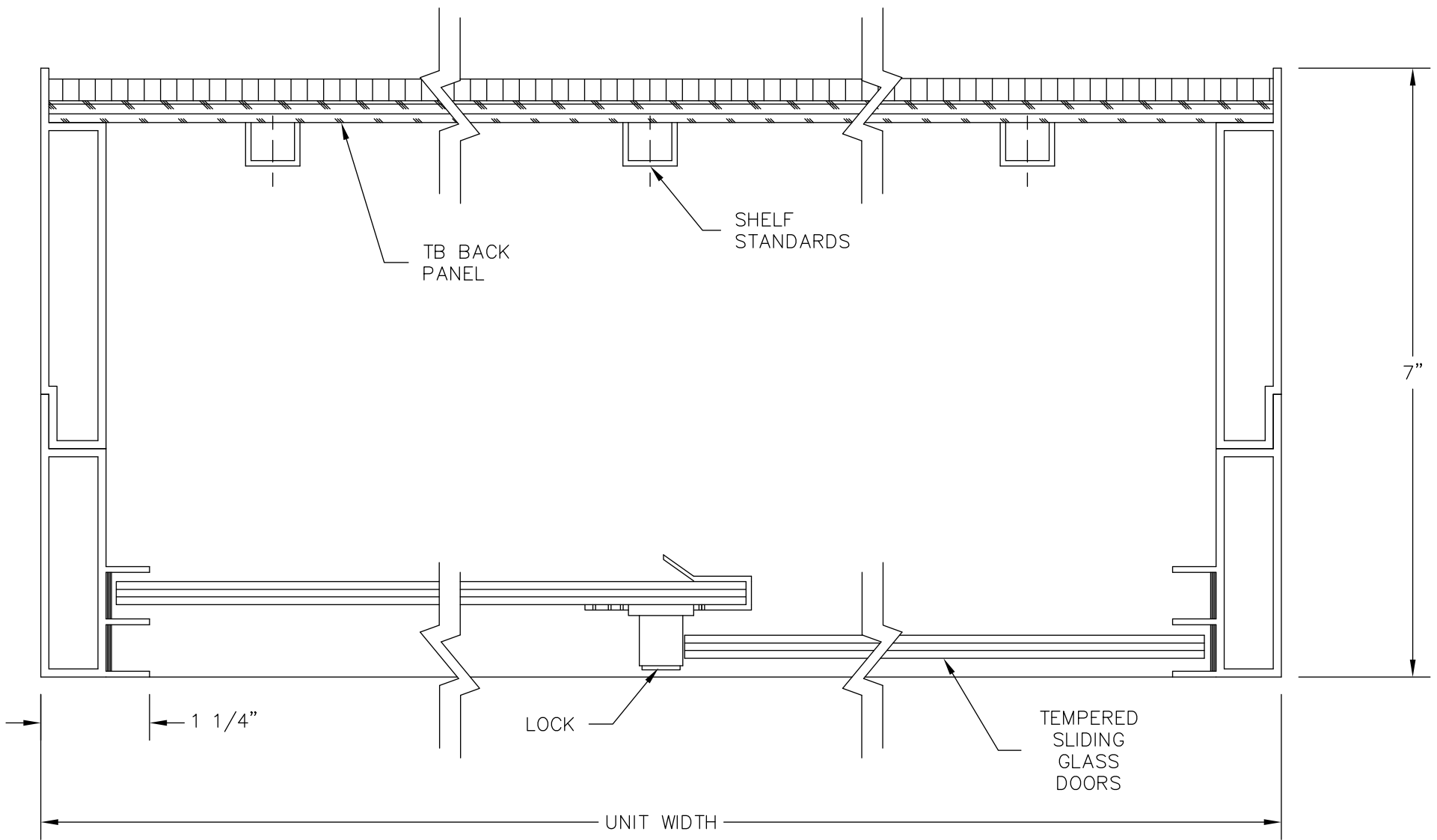
CLARIDGE IMPERIAL SERIES DISPLAY CASE WITH HEADER PANEL



SECTION "AA"



NO.	SIZE H-W	NO. SHELVES	SHELF WIDTH
464	3' X 4'	2	4"
464D	4' X 5'	3	4"
464E	4' X 6'	3	4"



SECTION "B"

SECTION "C"

SECTION "D"