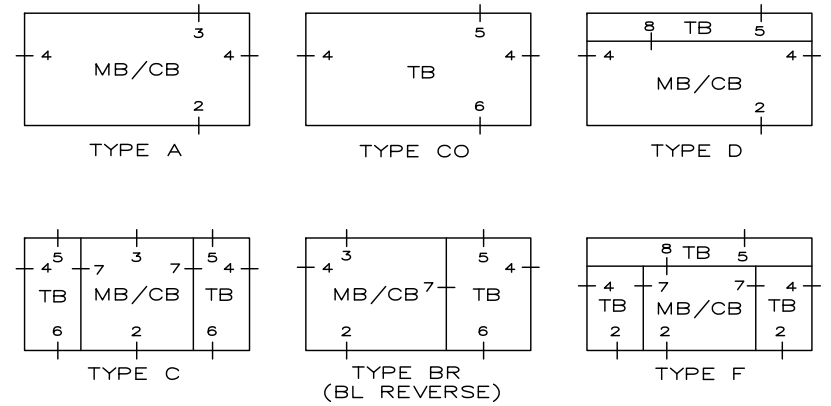
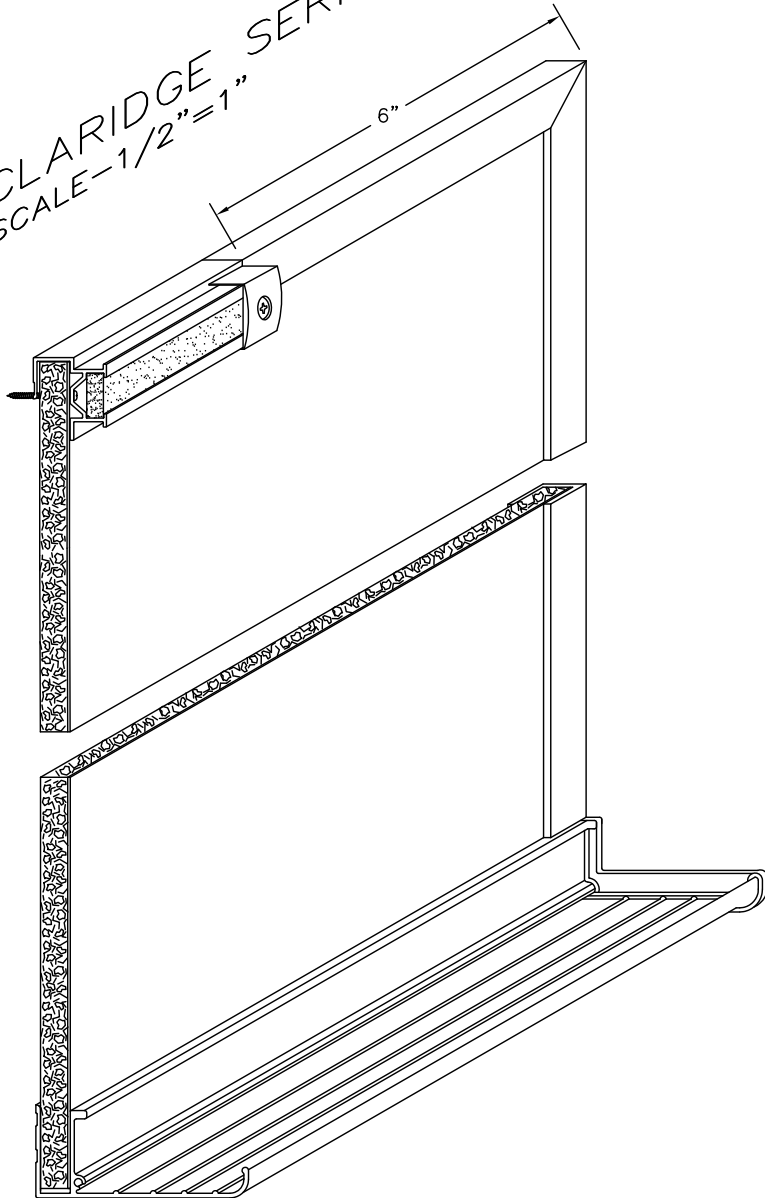


CLARIDGE SERIES 4  
SCALE - 1/2" = 1"



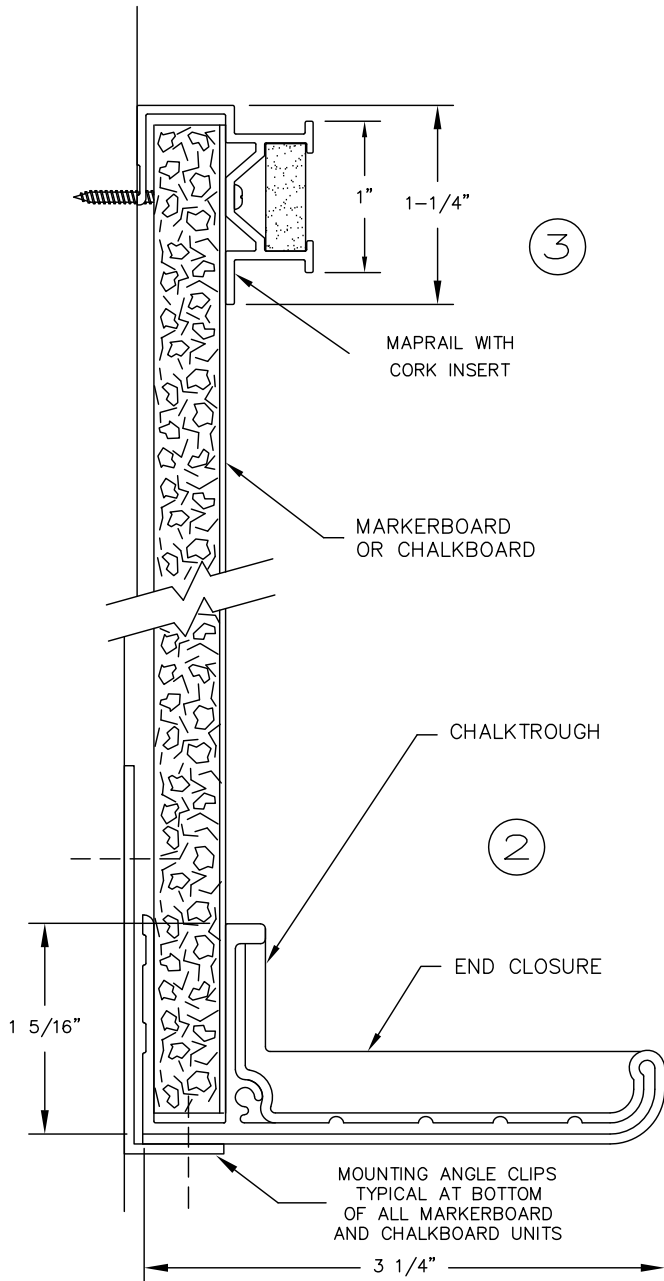
PANEL SIZES UP TO 4'-0" HIGH X 16'-0" WIDE IN ONE PIECE  
ALL PANELS ARE APPROX. 1/2" THICK OVERALL

PORCELAIN ENAMEL PANEL TYPE	CORE	PANEL BACKING
PORCELAIN CHALKBOARD LCSII MARKERBOARD	STANDARD CORE MDF STANDARD FORMALDEHYDE FREE CORE DURACORE	MOISTURE BARRIER BACK OPTIONAL FOIL SHEET ALUMINUM STEEL

TACKBOARD PANELS	SERIES NUMBER	PANEL MAKE-UP
CLARIDGE CORK	#1100	CLARIDGE COLORED CORK ON HARDBOARD
TAN NUCORK	#550	TAN NUCORK ON HARDBOARD
FABRICORK	#1550	VINYL FABRIC ON CORK UNDERLAY ON HARDBOARD
FABRICORK	#1380A	VINYL FABRIC ON DURACORE
DESIGNER SERIES	#3102	DESIGNER FABRIC ON CORK UNDERLAY ON HARDBOARD
HOOK-FAB	#934	HOOK-FAB ON CORK UNDERLAY ON HARDBOARD

# CLARIDGE SERIES 4 FACTORY BUILT UNITS

TRIM SECTION DETAILS  
SCALE=FULL SIZE



MOUNTING ANGLE CLIPS  
TYPICAL AT TOP & BOTTOM OF ALL TB UNITS.

