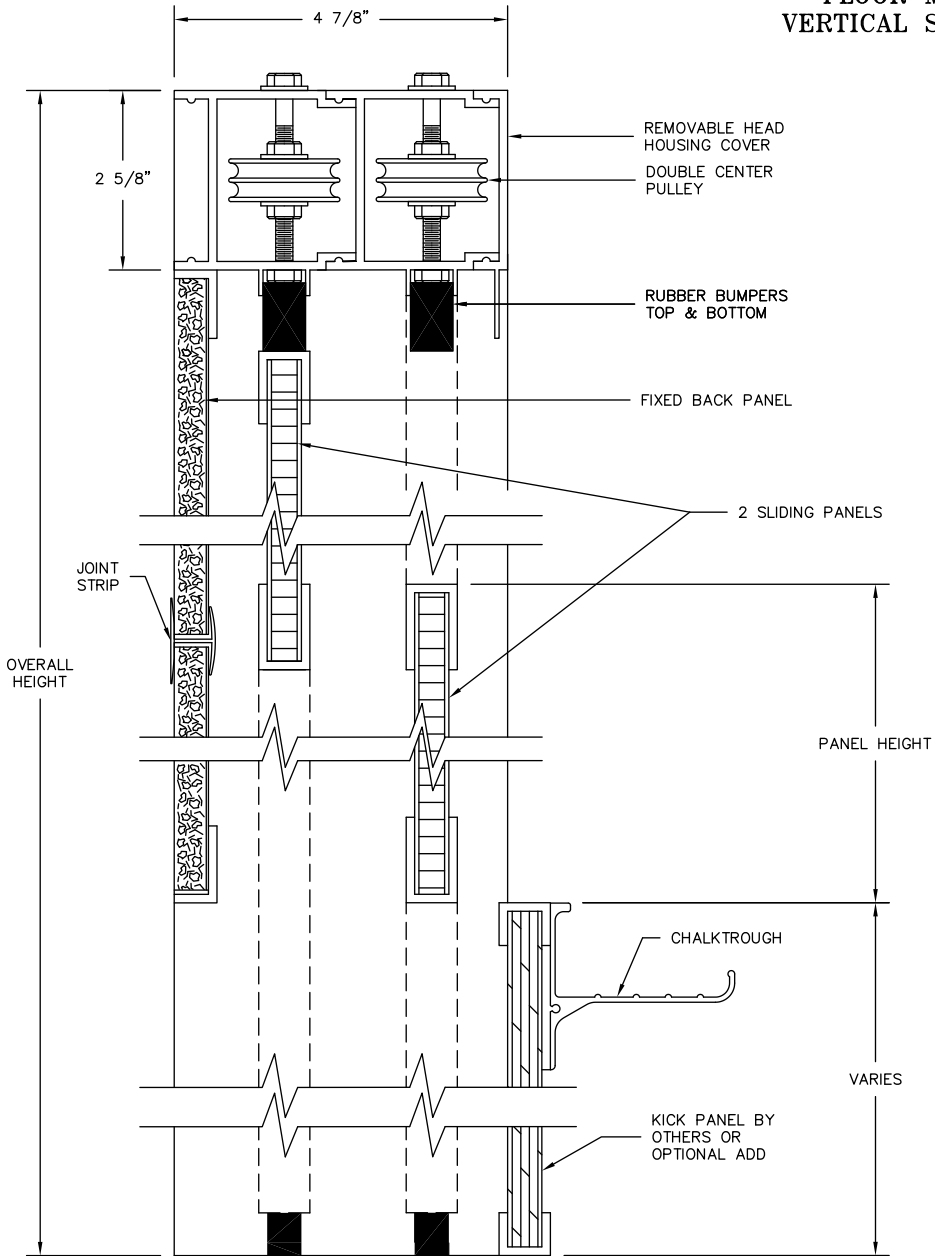
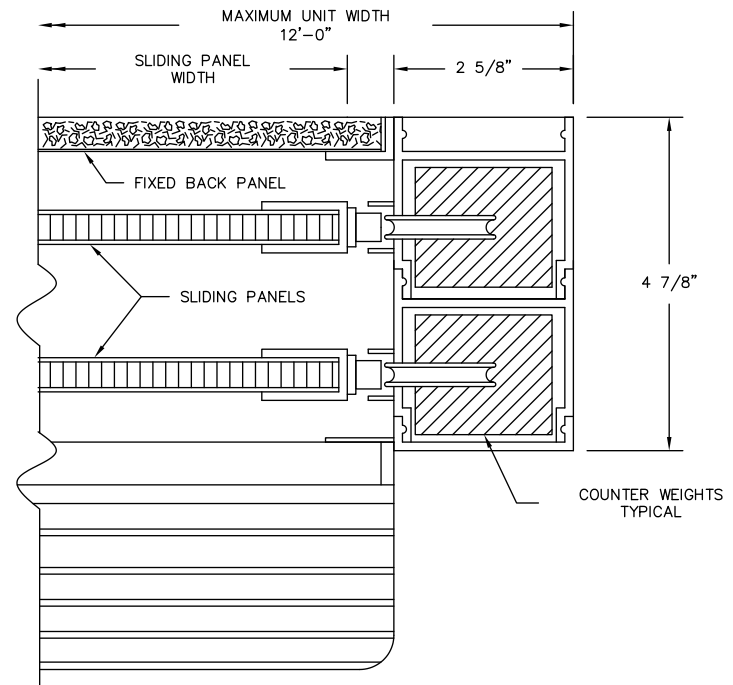
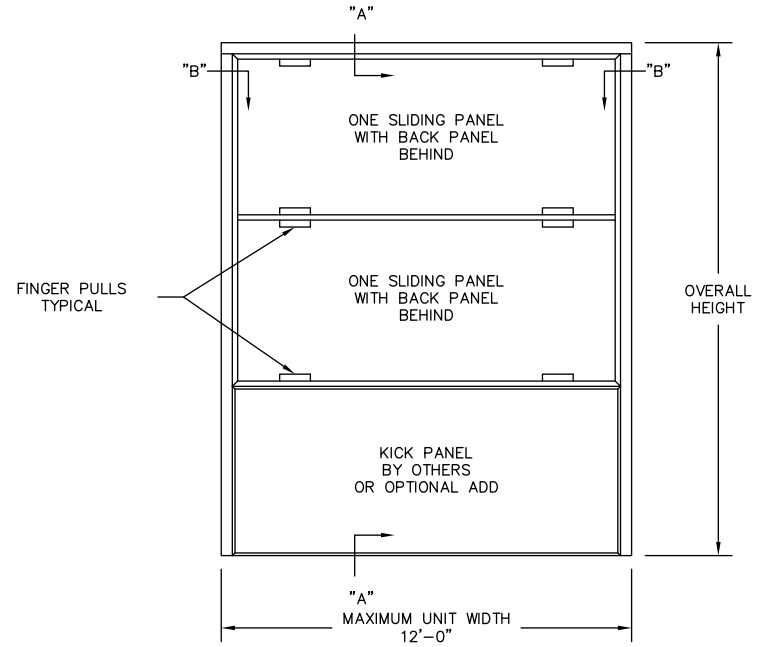


CLARIDGE THINLINE
FLOOR MOUNTED
VERTICAL SLIDING UNIT



SECTION "A-A"



SECTION "B-B"